

BrackIT[®] S-II

Full motion wall mount

Item no.: 8427

The BrackIT[®] S-II is a full motion wall mount for a screen with a size from 32" up to 43" (81 - 109 cm).

The VESA mount covers the universal VESA standards 100 x 100 mm and 200 x 200 mm and allows the screen to be mounted either in landscape or portrait orientation. The current very popular hole pattern VESA 200 x 100 mm and 100 x 200 mm is also covered by the bracket.

The screen tilt can be adjusted between -5° and +12° during installation.

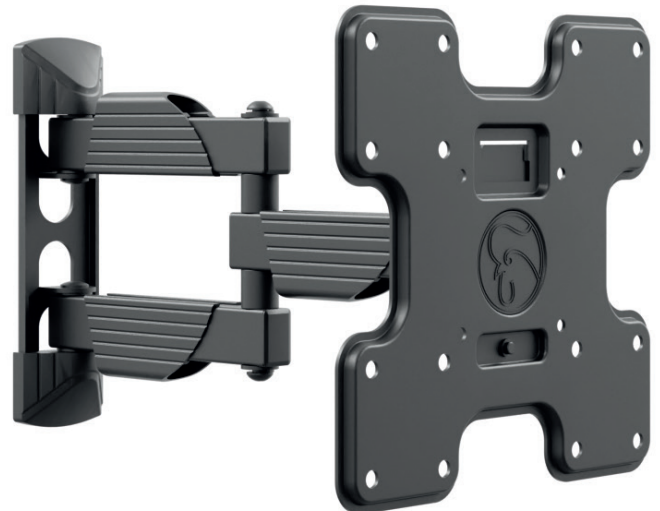
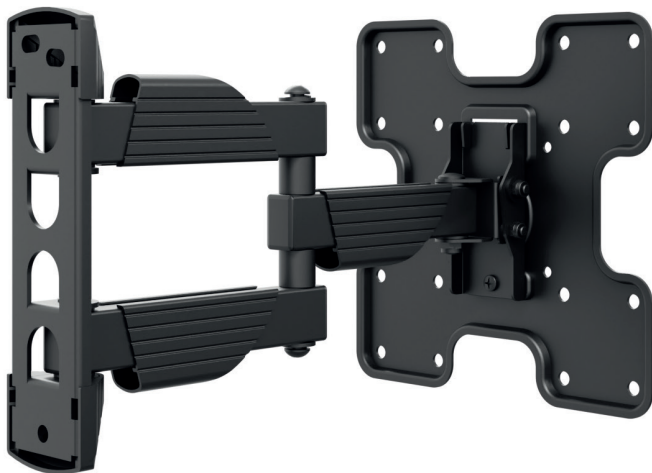
The wall distance can be adjusted between a minimum of 64 mm and a maximum of 342 mm thanks to the swivel joint.

In addition, the holder can be swiveled by $\pm 90^\circ$. The exact angle depends on the width of the mounted screen.

The cabling is held together by a cable clip.

The maximum load capacity is 25 kg.

The surfaces are protected by a solvent free, impact and scratch resistant powder coating in black.



BrackIT[®] S-II

Full motion wall mount

Item no.: 8427

- Full motion wall mount
- 32 - 43" | 81 - 109 cm
- Landscape | Portrait
- VESA, min. 100 x 100 mm - max. 200 x 200 mm
- Variable distance to wall, min. 64 mm - max. 342 mm
- - 5° / +12° tiltable
- ± 90° swivelling (depending on screen width)
- Cable routing with cable clips
- 25 kg load, max.
- Solvent free, scratch and impact resistant powder coating
- Colour: black

